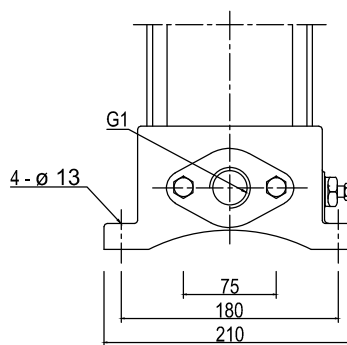
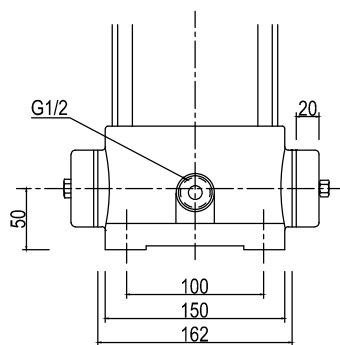
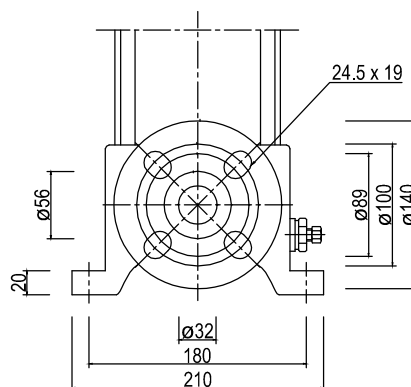


FGJ(DIN-ANSI-JIS)  
 PN25(DN32)  
 /mm/



BV 3-17

|               |            |
|---------------|------------|
| PUMPS         | 07.07.2020 |
| Textilná 3/A  |            |
| 040 12 Košice |            |

